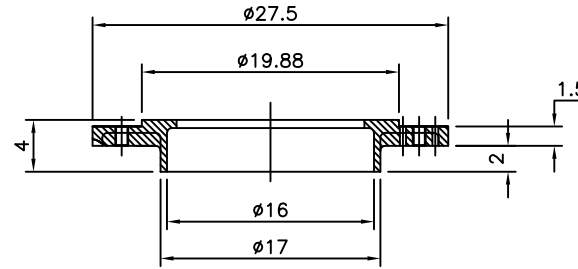
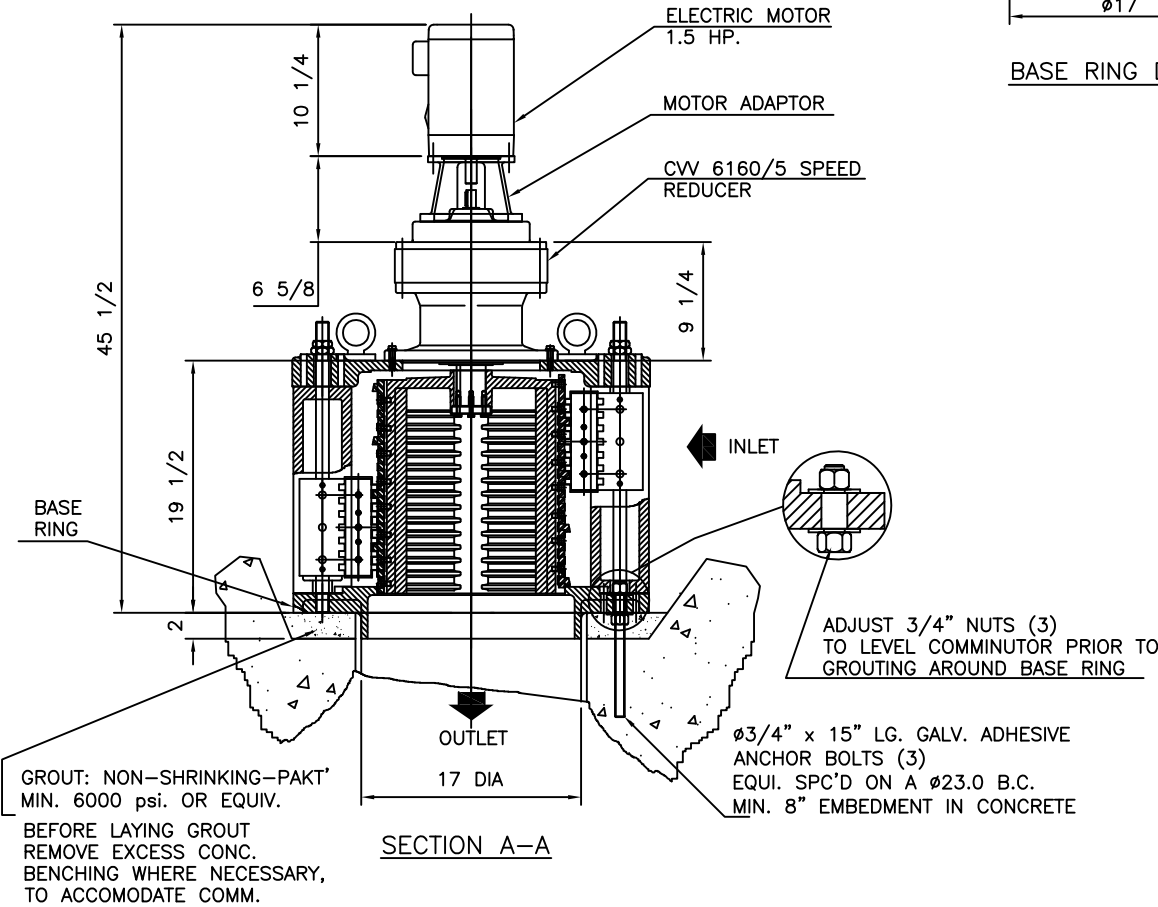


# MODEL 16A STANDARD

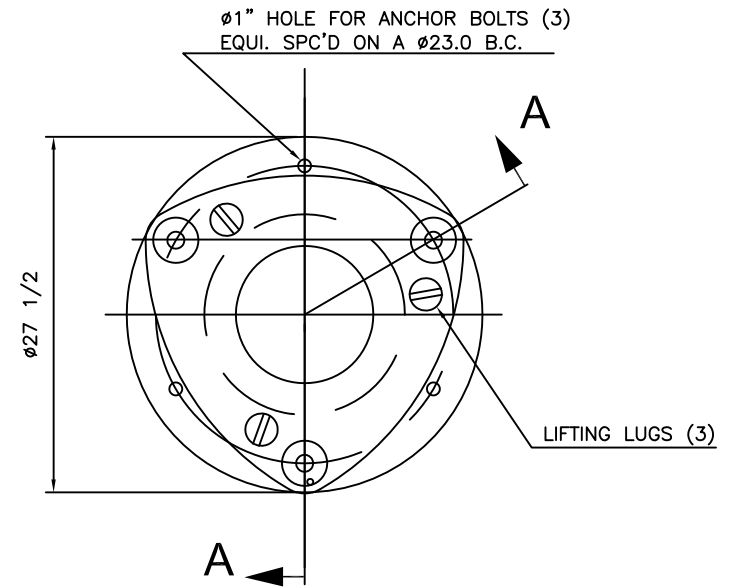
SERIAL No. X



BASE RING DETAIL



SECTION A-A



TOP VIEW OF COMMINUTOR

## MATERIALS OF CONSTRUCTION & GENERAL ENGINEERING DATA

HOUSING:	GREY IRON	CAPACITY	3.5 MGD (US) / 13200 m3/ day	INLET AREA	202 SQ IN	1303 cm sq
DRUM (SCREEN):	DUCTILE IRON (ASTM 536 GRADE 60-45-18)	DRUM SPEED	30 RPM	OUTLET AREA	121 SQ IN	780.6 cm sq
SHEAR BARS:	AISI-A2 HIGH ALLOY TOOL STEEL	ROTATION	CLOCKWISE	DRUM DIAMETER	14.5 IN	36.8 cm
CUTTING BARS:	AISI-01 TOOL STEEL REVERSIBLE	SLOT WIDTH	.470 IN / 12 mm	WEIGHT	750 LB	340 kg
HARDWARE & FASTENERS:	304 STAINLESS STEEL	No. OF SLOTS	56			
MOTOR MANUFACTURER:	BALDOR	POWER:	/ 3 / 60	RPM:	1750	REDUCER: SM - CYCLO
STYLE:	TEFC	HP:	1.5	KW:	1.12	FRAME: 145 TC
				FLANGE:	'C'	RATIO: 59:1
						RATING: 7.72 HP
						MODEL: V6160

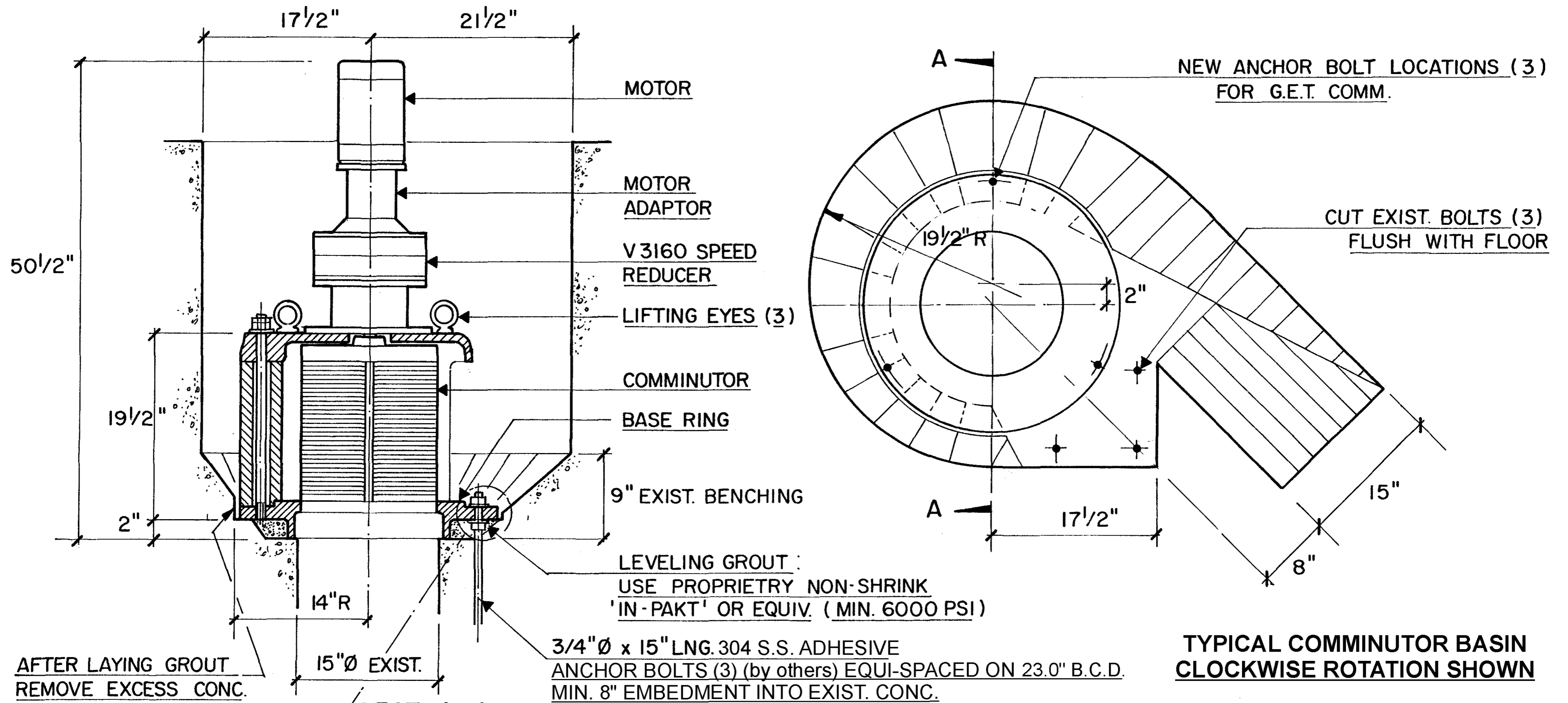
**G.E.T. INDUSTRIES INC.**  
[get@grindhog.com](mailto:get@grindhog.com)  
[www.grindhog.com](http://www.grindhog.com)  
 1 (877) 213-7418



TOLERANCES	INFO.	SCALE	
DECIMAL		INFO.	NTS
FRACTIONAL		INFO.	DRAWN BY
ANGULAR		INFO.	G.P.
DATE	FILE NO.	DWG. No.	APPROVED BY
		6 0200	W.D.M.
			REV.

# Grind Hog MODEL 16A (CAPACITY: 3.5 USMGD)

## REPLACEMENT OF JONES & ATTWOOD MODEL 15R



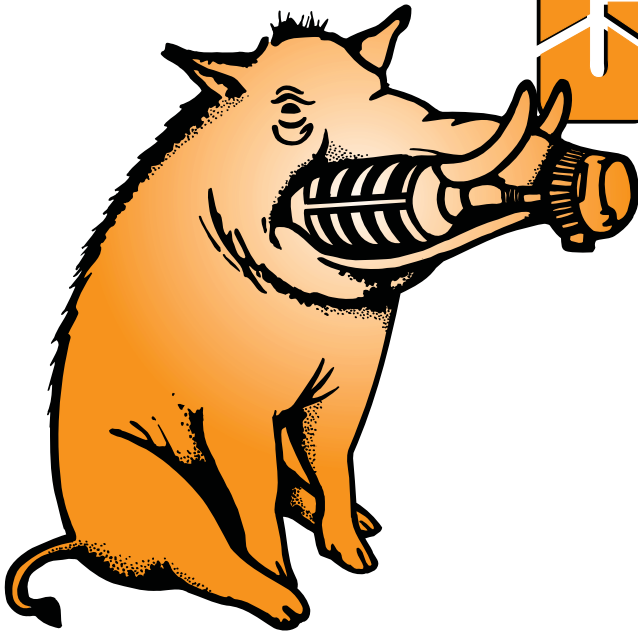
AFTER LAYING GROUT  
REMOVE EXCESS CONC.  
BENCHING, WHERE NECESSARY,  
TO ACCOMODATE COMM.

ADJUST 3/4" NUTS  
(3) TO LEVEL COMM-  
INUTOR PRIOR TO  
GROUTING AROUND BASE RING

COMMINUTOR WEIGHT :  
800 LB ( 363 KG )

BASE RING DETAIL

REVISIONS		BY	DATE	APP.
 <b>G.E.T. INDUSTRIES INC.</b> (877) 213-7418 www.grindhog.com				
TOLERANCES		SCALE		
±	DECIMAL	DRAWN BY		
±	FRACTIONAL			
±	ANGULAR			
±	DATE	PROJECT NO.	DRAWING NO.	REV.
			9 0072	



# Grind Hog<sup>TM</sup>

## LIVELY SEWAGE TREATMENT PLANT



**Grind Hog<sup>TM</sup> 16A**



**Previously Installed  
Jones & Attwood 15R**

**G.E.T. INDUSTRIES INC.**

Toll Free: (877) 213-7418

E-mail: [get@grindhog.com](mailto:get@grindhog.com) ♦ Web: [www.grindhog.com](http://www.grindhog.com)